

JUPITER SILVER TWIN AMBULANT & ACCESSIBLE
CASS BAY, CHRISTCHURCH CITY COUNCIL



SALES DRAWING - INDICATIVE ONLY

exeLOO®		New Zealand 26 Paramount Dve Henderson 0610 PO Box 33-256 Takapuna, Auckland T: +64-9-838-8912 F: +64-9-838-8913	Australia Level 1, 22-28 Edgeworth David Avenue, Hornsby, NSW 2077 T: +64 (0) 488 200 049	USA 954 Toro St San Luis Obispo CA 93401 PO Box 13310 San Luis Obispo CA 93406 T: (800) 676-5290 or 1-800-303-3506	
Description: JUPITER SILVER TWIN AMBULANT & ACCESSIBLE, CASS BAY, CHRISTCHURCH CITY COUNCIL		Proj:	Units:	Rev. 1-B	Rev Date: 19/07/2019
Material:	Finish:	Tolerance:	Size: A3	Checked by:	Approved by:
		Drawn by: JJG	Creation Date: 9/05/2019	Sheet No: 1 / 6	Drawing No: AS-JUP43AAD-NZ
SCALE SPECIFIED IN VIEW LABEL		SPECIFICATION SUBJECT TO CHANGE WITHOUT NOTICE			

FRONT PERSPECTIVE



SALES DRAWING - INDICATIVE ONLY

		New Zealand 26 Paramount Dve Henderson 0610 PO Box 33-256 Takapuna, Auckland T: +64-9-838-8912 F: +64-9-838-8913	Australia Level 1, 22-28 Edgeworth David Avenue, Hornsby, NSW 2077 T: +64 (0) 488 200 049	USA 954 Toro St San Luis Obispo CA 93401 PO Box 13310 San Luis Obispo CA 93406 T: (800) 676-5290 or 1-800-303-3506		
Description: JUPITER SILVER TWIN AMBULANT & ACCESSIBLE, CASS BAY, CHRISTCHURCH CITY COUNCIL		Proj:	Units:	Rev. 1-B	Rev Date: 19/07/2019	
Material:		Finish:	Tolerance:	Size: A3	Checked by:	Approved by:
Material:		Finish:	Drawn by: JJG	Creation Date: 9/05/2019	Sheet No: 2 / 6	Drawing No: AS-JUP43AAD-NZ

SCALE SPECIFIED IN VIEW LABEL SPECIFICATION SUBJECT TO CHANGE WITHOUT NOTICE

SIDE PERSPECTIVE




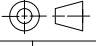
SALES DRAWING - INDICATIVE ONLY

		New Zealand 26 Paramount Dve Henderson 0610 PO Box 33-256 Takapuna, Auckland T: +64-9-838-8912 F: +64-9-838-8913	Australia Level 1, 22-28 Edgeworth David Avenue, Hornsby, NSW 2077 T: +64 (0) 488 200 049	USA 954 Toro St San Luis Obispo CA 93401 PO Box 13310 San Luis Obispo CA 93406 T: (800) 676-5290 or 1-800-303-3506	
Description: JUPITER SILVER TWIN AMBULANT & ACCESSIBLE, CASS BAY, CHRISTCHURCH CITY COUNCIL		Proj:	Units:	Rev. 1-B	Rev Date: 19/07/2019
Material:		Tolerance:	Size: A3	Checked by:	Approved by:
Finish:		Drawn by: JJG	Creation Date: 9/05/2019	Sheet No: 3 / 6	Drawing No: AS-JUP43AAD-NZ
SCALE SPECIFIED IN VIEW LABEL		SPECIFICATION SUBJECT TO CHANGE WITHOUT NOTICE			

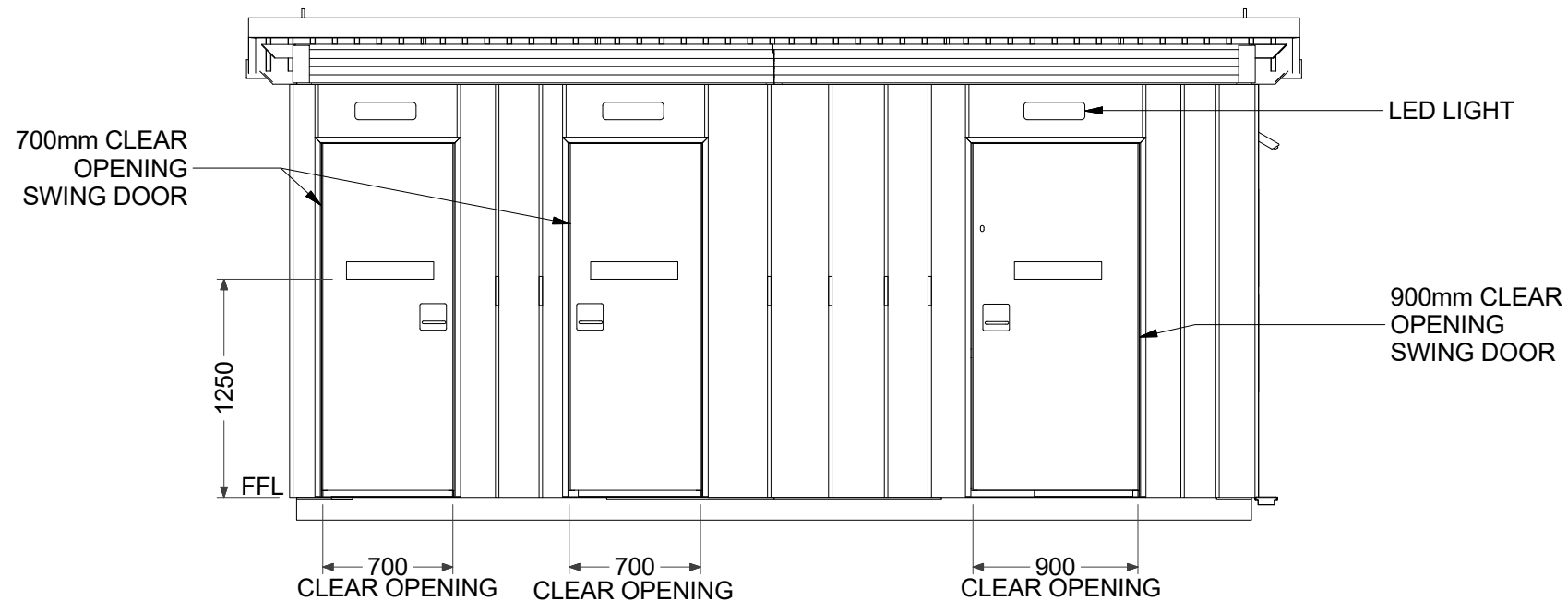
REAR PERSPECTIVE



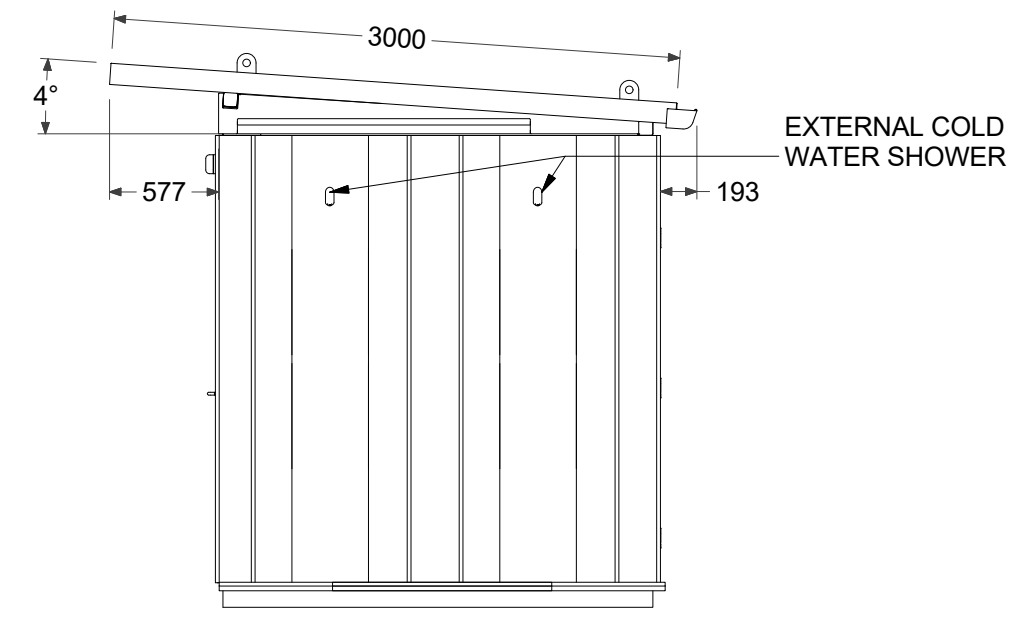
SALES DRAWING - INDICATIVE ONLY

		New Zealand 26 Paramount Dve Henderson 0610 PO Box 33-256 Takapuna, Auckland T: +64-9-838-8912 F: +64-9-838-8913	Australia Level 1, 22-28 Edgeworth David Avenue, Hornsby, NSW 2077 T: +64 (0) 488 200 049	USA 954 Toro St San Luis Obispo CA 93401 PO Box 13310 San Luis Obispo CA 93406 T: (800) 676-5290 or 1-800-303-3506	
Description: JUPITER SILVER TWIN AMBULANT & ACCESSIBLE, CASS BAY, CHRISTCHURCH CITY COUNCIL		Proj: 	Units:	Rev. 1-B	Rev Date: 19/07/2019
Material:		Tolerance:	Size: A3	Checked by:	Approved by:
Finish:		Drawn by: JJG	Creation Date: 9/05/2019	Sheet No: 4 / 6	Drawing No: AS-JUP43AAD-NZ
SCALE SPECIFIED IN VIEW LABEL		SPECIFICATION SUBJECT TO CHANGE WITHOUT NOTICE			

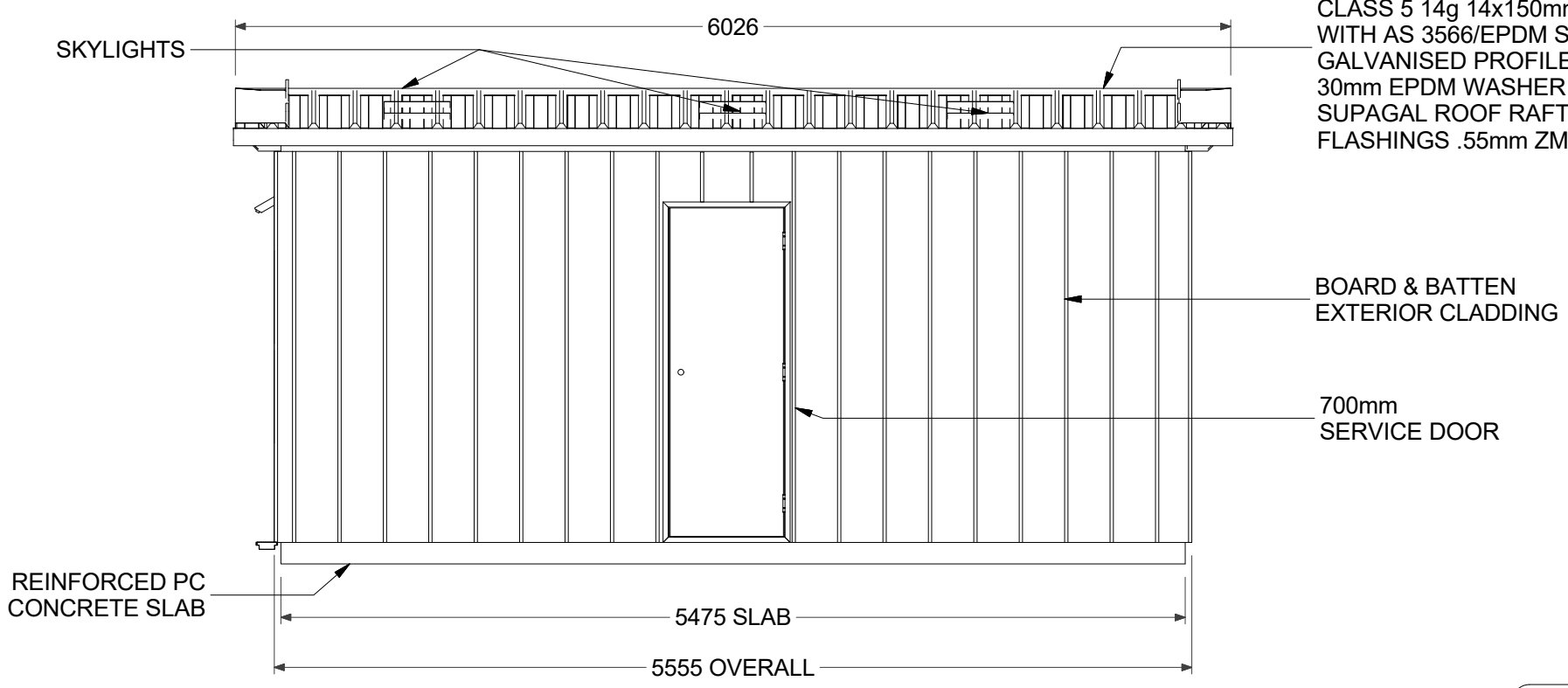
FRONT ELEVATION



RIGHT ELEVATION

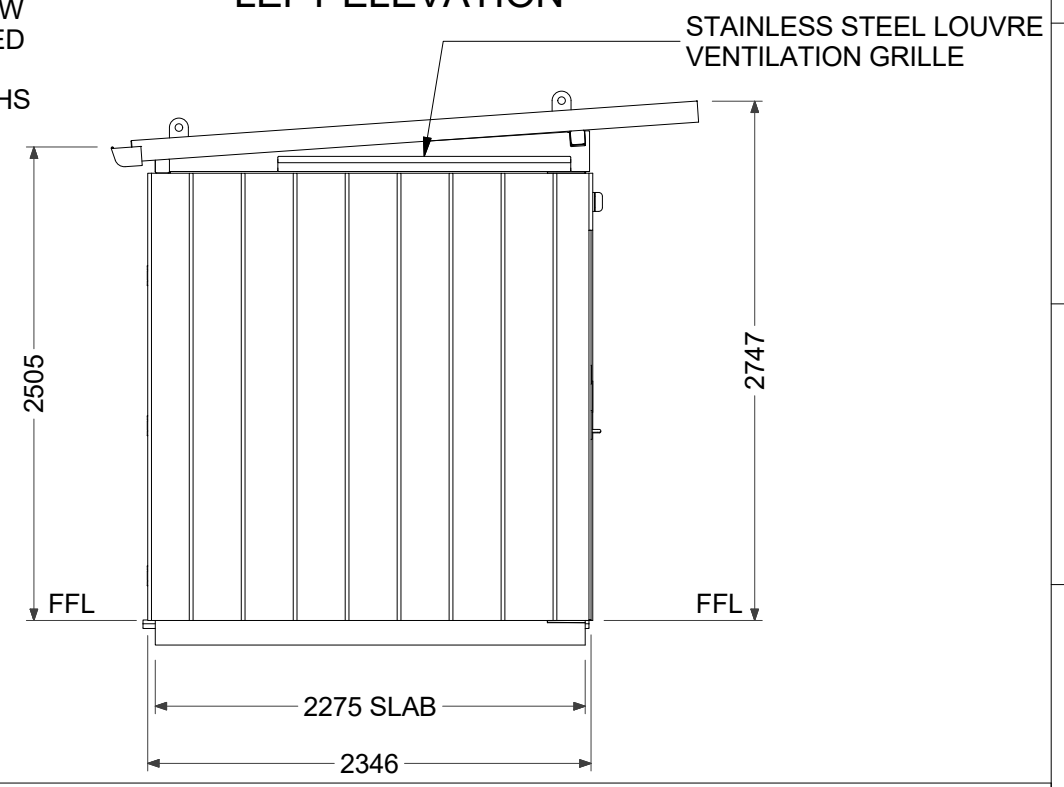


REAR ELEVATION



ROOFING: STRUCTURAL INSULATED PANEL FIXED WITH STEEL TITE HWF CLASS 5 14g 14x150mm TEK SCREW WITH AS 3566/EPDM SEAL, PAINTED GALVANISED PROFILE WASHER & 30mm EPDM WASHER ON 75mm SHS SUPAGAL ROOF RAFTERS ALL FLASHINGS .55mm ZM8

LEFT ELEVATION

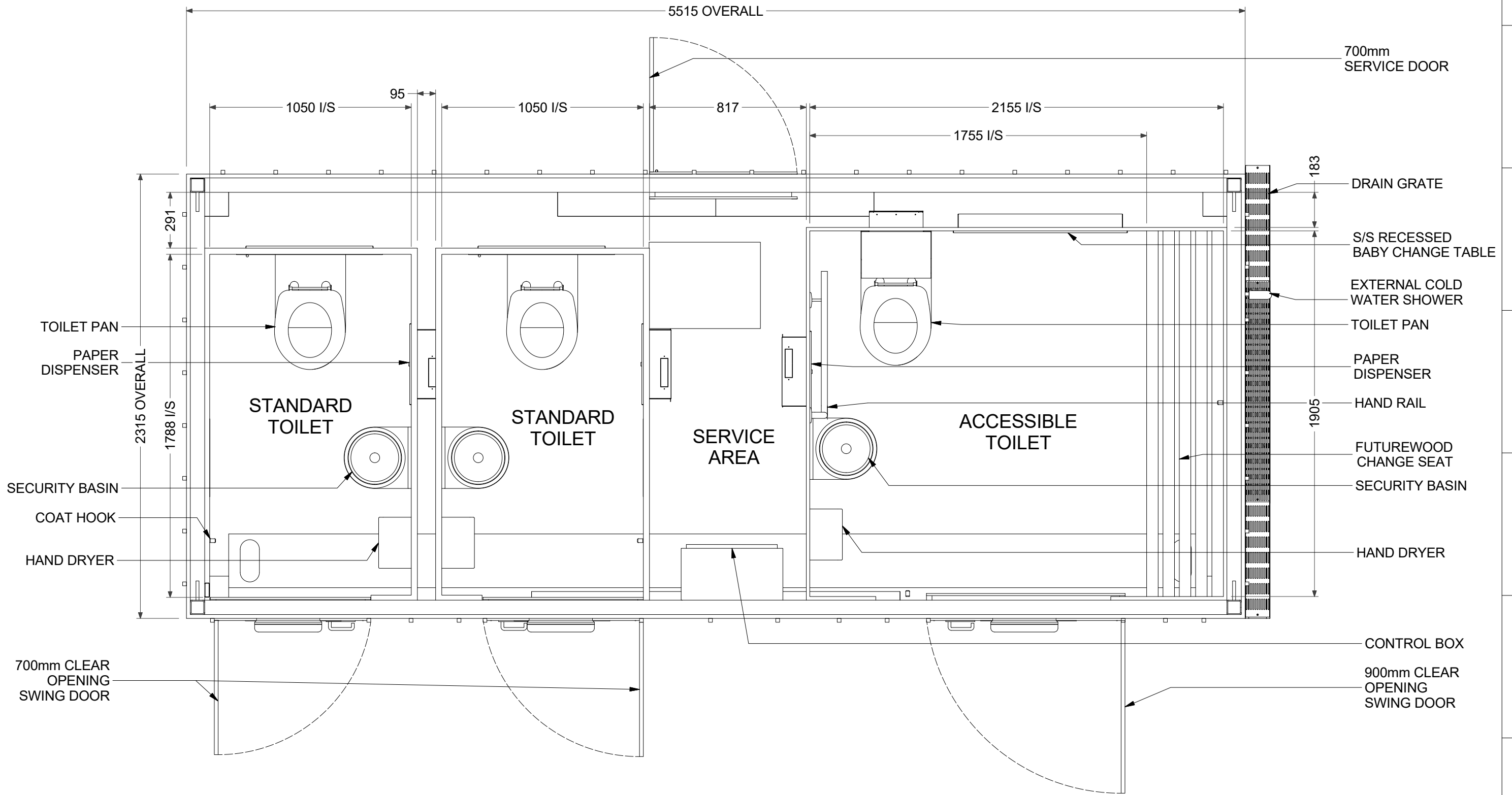


	New Zealand 26 Paramount Dve Henderson 0610 PO Box 33-256 Takapuna, Auckland T: +64-9-838-8912 F: +64-9-838-8913	Australia Level 1, 22-28 Edgeworth David Avenue, Hornsby, NSW 2077 T: +64 (0) 488 200 049	USA 954 Toro St San Luis Obispo CA 93401 PO Box 13310 San Luis Obispo CA 93406 T: (800) 676-5290 or 1-800-303-3506			
	Description: JUPITER SILVER TWIN AMBULANT & ACCESSIBLE, CASS BAY, CHRISTCHURCH CITY COUNCIL		Proj:	Units:	Rev: 1-B	Rev Date: 19/07/2019
Material:	Finish:	Tolerance:	Size: A3	Checked by:	Approved by:	
Drawn by: JJG	Creation Date: 9/05/2019	Sheet No: 5 / 6	Drawing No: AS-JUP43AAD-NZ			

SALES DRAWING - INDICATIVE ONLY

SCALE SPECIFIED IN VIEW LABEL SPECIFICATION SUBJECT TO CHANGE WITHOUT NOTICE

FLOOR PLAN



SALES DRAWING - INDICATIVE ONLY

		New Zealand 26 Paramount Dve Henderson 0610 PO Box 33-256 Takapuna, Auckland T: +64-9-838-8912 F: +64-9-838-8913	Australia Level 1, 22-28 Edgeworth David Avenue, Hornsby, NSW 2077 T: +64 (0) 488 200 049	USA 954 Toro St San Luis Obispo CA 93401 PO Box 13310 San Luis Obispo CA 93406 T: (800) 676-5290 or 1-800-303-3506	
Description: JUPITER SILVER TWIN AMBULANT & ACCESSIBLE, CASS BAY, CHRISTCHURCH CITY COUNCIL		Proj:	Units:	Rev: 1-B	Rev Date: 19/07/2019
Material:		Tolerance:	Size: A3	Checked by:	Approved by:
Finish:		Drawn by: JJG	Creation Date: 9/05/2019	Sheet No: 6 / 6	Drawing No: AS-JUP43AAD-NZ

SCALE SPECIFIED IN VIEW LABEL

SPECIFICATION SUBJECT TO CHANGE WITHOUT NOTICE