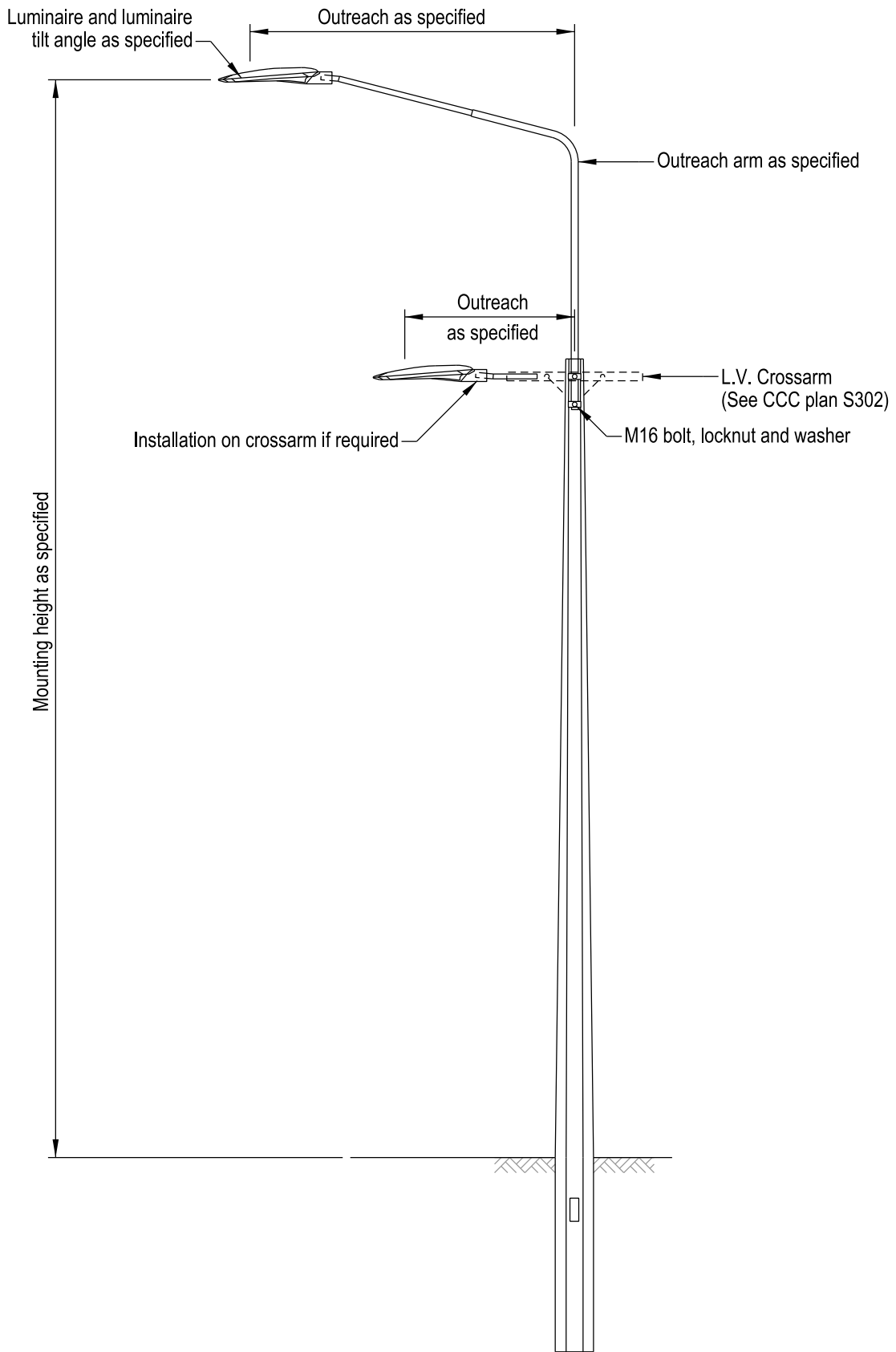


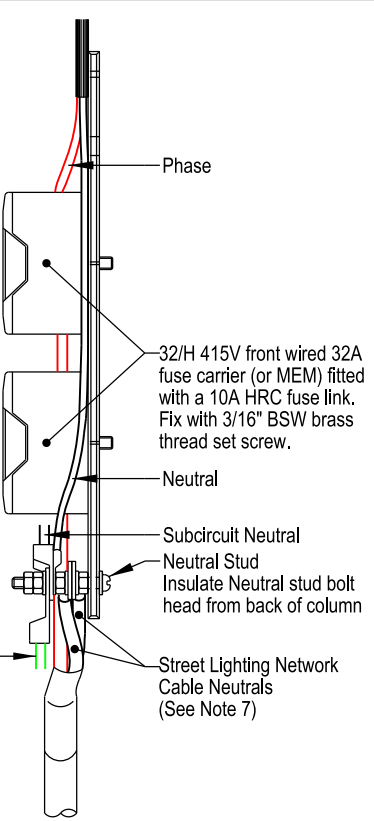
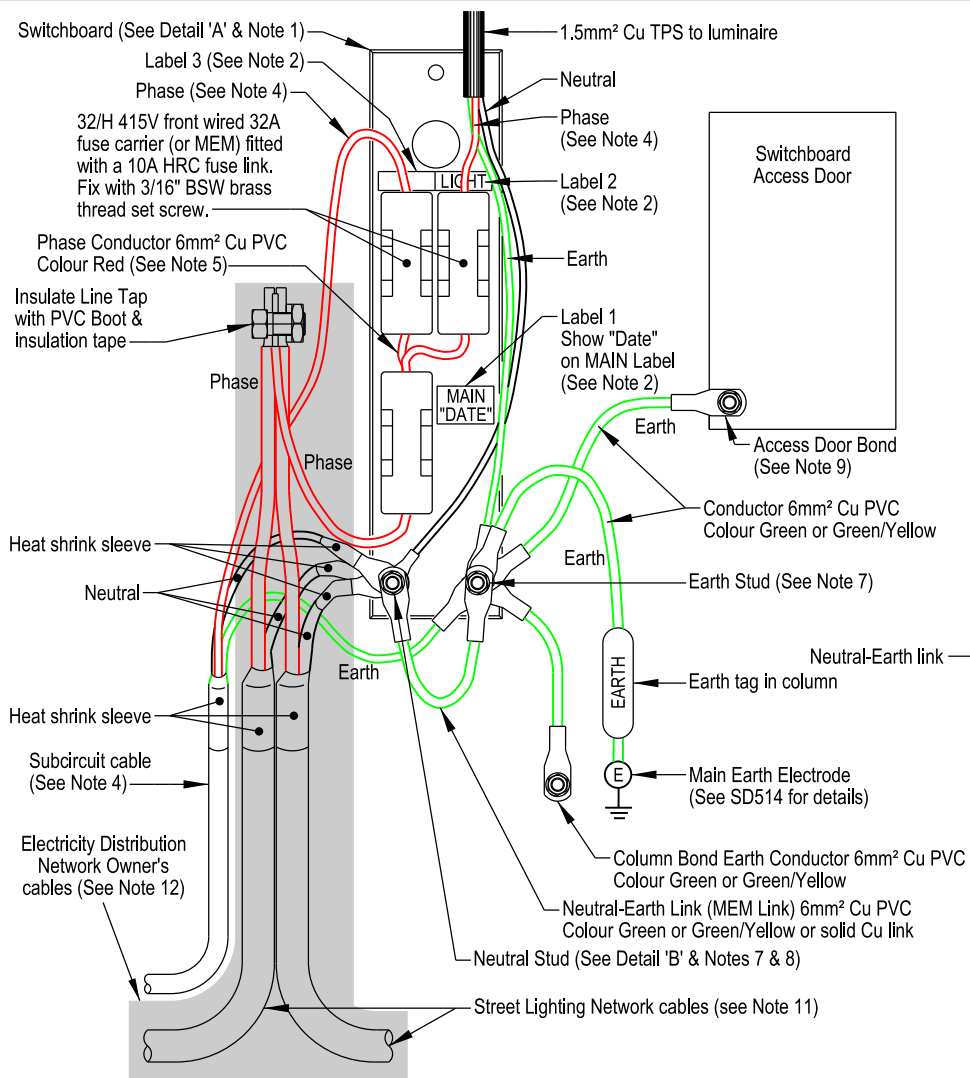
NOTES:

- 1. Offset for roadways without a kerb, is taken from the white edge line.
- 2. Base compartment door is to face the adjacent footpath. Door is to be secured with 6mm (or 8mm) allen key setscrews. Setscrew threads to be coated with longlife anticorrosive grease.



NOTES:

- 1. Refer to the Electricity Distribution Network Owners requirements for connecting to the overhead street lighting network.
- 2. See SD501 for details regarding arm and spigot angles.

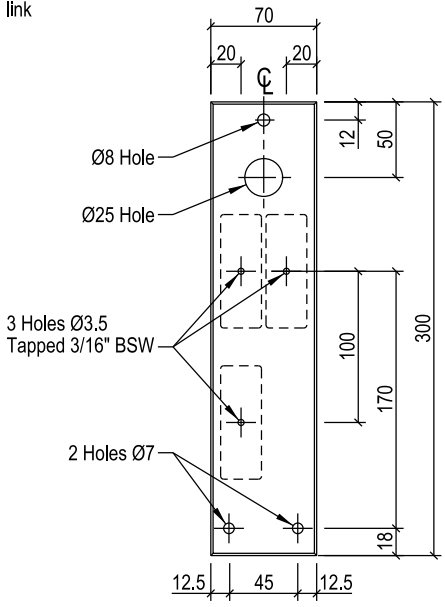


DETAIL 'B'
Neutral Stud Terminations

TYPICAL INSTALLATION ASSEMBLY

NOTES:

1. Switchboard to be secured to inside of column, opposite door opening. Secure with suitable size nut and spacer behind panel. For concrete columns use Ø25 mounting hole. For steel columns use Ø8 mounting hole.
2. Suitable label to be mounted adjacent to each fuse and the "Main" label to include the installation date. Refer to the Label Schedule.
3. Two new fuse holders to be installed onto existing switchboard as shown. The lower left fuse becomes the Main Fuse and the other fuses become the subcircuit fuses which feed the light and subcircuit load (eg Bus Shelter). The size of the subcircuit fuse link to be determined by the Designer prior to installation.
4. The new subcircuit cable shall be a suitably sized twin + NS (or 3 core) cable. The phase conductor to be terminated into the top of it's subcircuit fuse. The neutral and earth conductors to be connected to the neutral and earth studs, as shown.
5. The existing phase conductor, from the line tap, is to be reterminated to the bottom of the (new) Main Fuse and two 6mm² Cu PVC (red) conductors are to be connected from the other side of the Main Fuse into the bottom of each respective subcircuit fuse as shown. The existing phase conductor, feeding the light, is to be reterminated into the appropriate fuse holder as shown.
6. For installations where only one SLN cable is to be terminated, the phase conductor can be terminated directly into the fuse carrier, eliminating the need for a line tap connection and 6mm² phase conductor.
7. The Street Lighting Network (SLN) cable neutrals are to be secured onto the Neutral stud independently of the other neutral connections. The TPS neutral and Earth-neutral link to be installed last so that any future removal of these will not result in the SLN cable neutrals being disconnected.
8. Earth and Neutral studs to be M6 x 50 Brass Screws, nuts and washers. Refer to Note 4 for the specific requirements of the Neutral Stud connections.
9. Provide a 6mm² Cu PVC Green or Green/Yellow conductor from Earth Stud to be bonded to the door with a 6mm stud, washers, nut and locknut. N.B. All paint must be removed from the earthing connection area.
10. Ownership details are as follows:
Electricity Distribution Network Owner (EDNO)
- Street Lighting Network cables including line tap and 6mm² phase conductor to bottom of the Main Fuse.
CCC - Everything other than above.
11. All Electricity Distribution Network Owner (EDNO) owned equipment (Street Lighting Network cables, line taps etc) shown are typical only. Refer to Electricity Distribution Network Owner (EDNO) standards and specifications.
12. Anyone working on this equipment must be competent and approved by the relevant Electricity Distribution Network Owner (EDNO) to carry out the tasks they are performing.

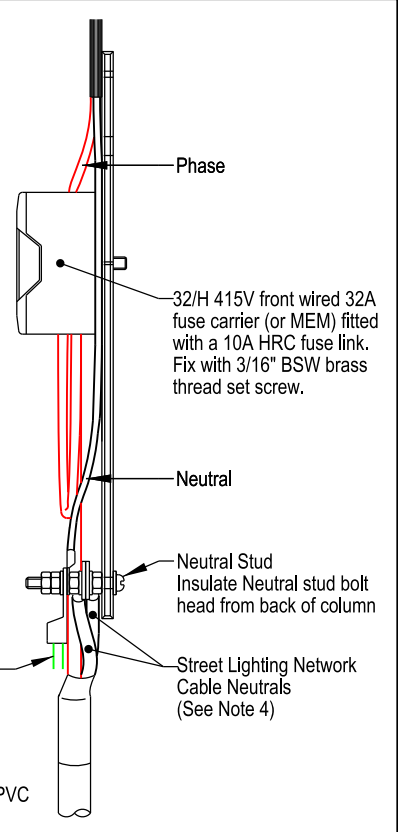
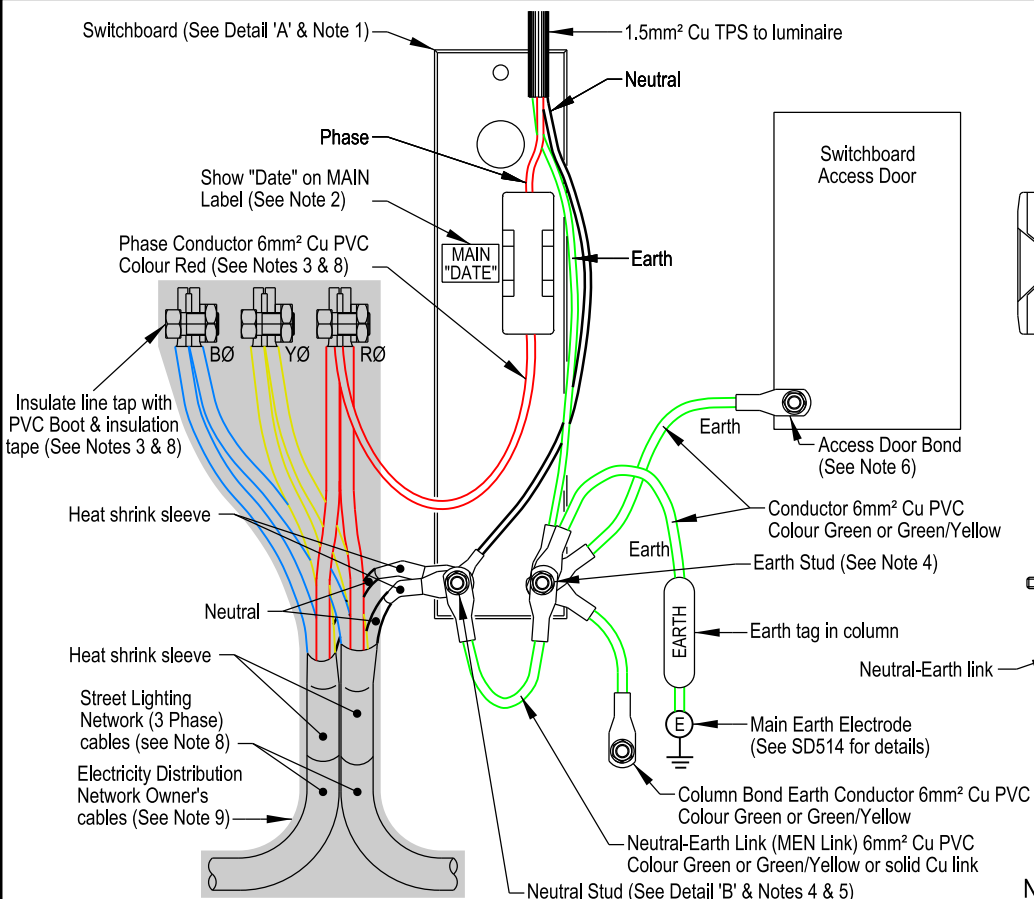


DETAIL 'A'

SWITCHBOARD MATERIAL:
6mm Formica P1, or similar
electromechanical grade laminate

LABEL SCHEDULE	
LABEL No.	WORDING
1	MAIN & DATE
2	LIGHT(S)
3	(TO SUIT FUNCTION)

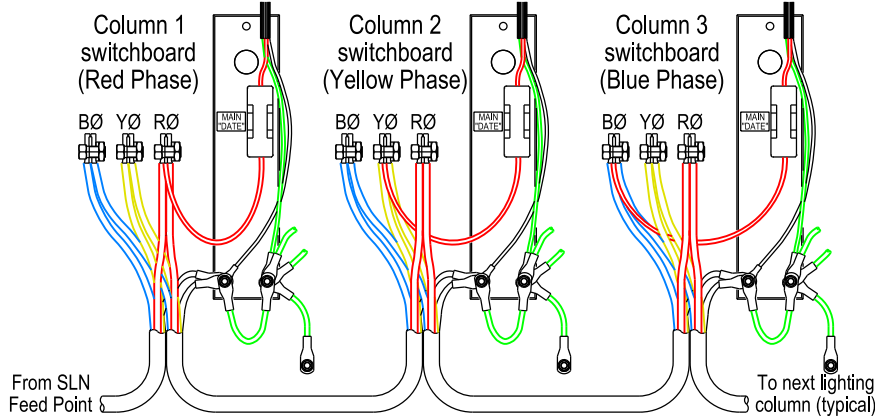
All dimensions in millimetres unless otherwise stated



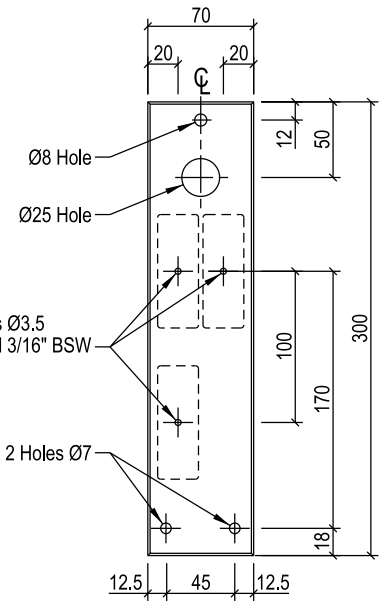
DETAIL 'B'

Neutral Stud Terminations

TYPICAL INSTALLATION ASSEMBLY



TYPICAL 3 PHASE CABLE TERMINATION DETAILS



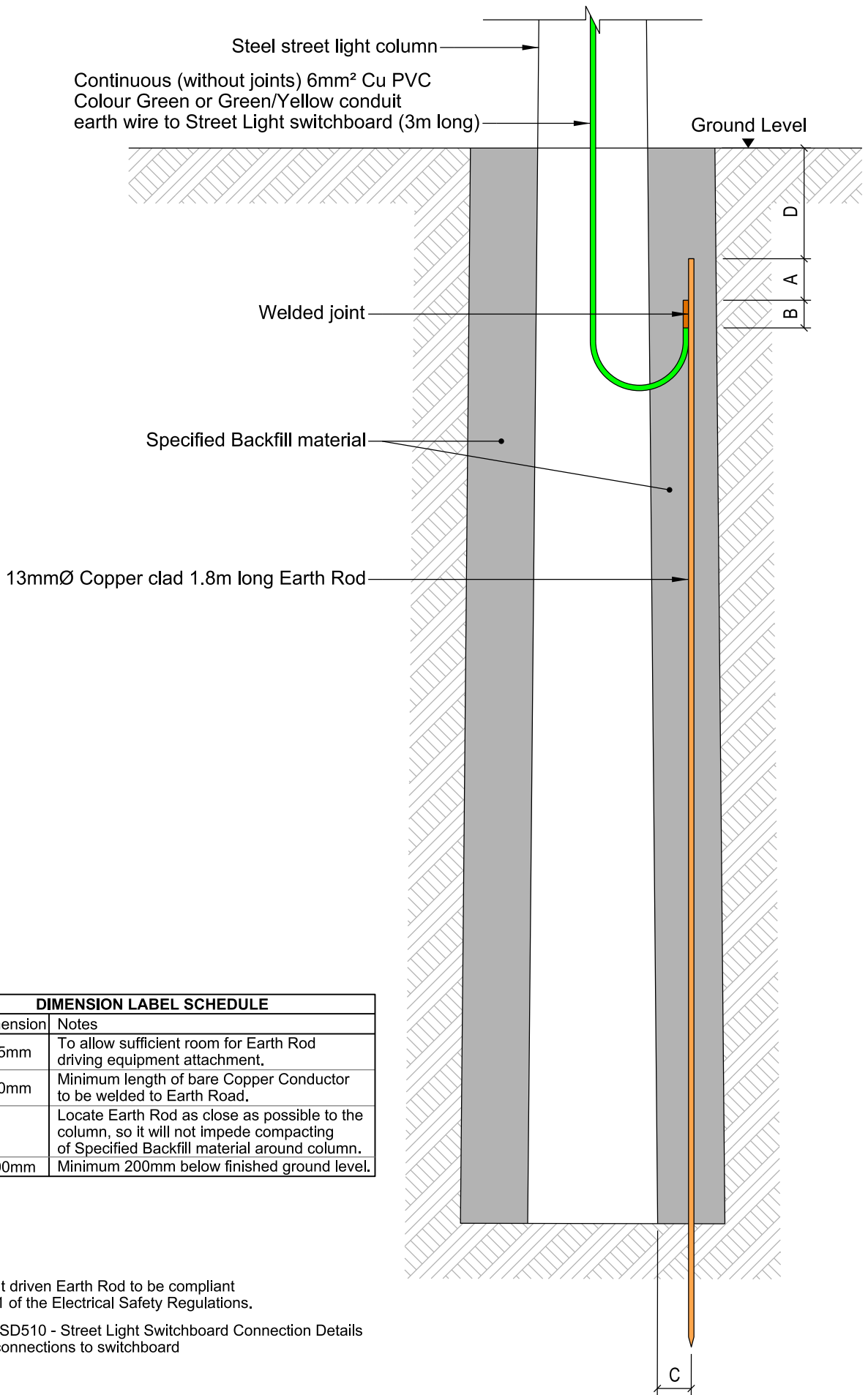
DETAIL 'A'

SWITCHBOARD MATERIAL:
6mm Formica P1, or similar electromechanical grade laminate

NOTES:

- Switchboard to be secured to inside of column, opposite door opening. Secure with suitable size nut and spacer behind panel. For concrete columns use Ø25 mounting hole. For steel columns use Ø8 mounting hole.
- Suitable "Main" label to be mounted adjacent to fuse. Label to include the installation date.
- For installations where only one SLN cable is to be terminated, the phase conductor can be terminated directly into the fuse carrier, eliminating the need for a line tap connection and 6mm² phase conductor.
- The Street Lighting Network (SLN) cable neutrals are to be secured onto the Neutral stud with their own nuts independently of the other neutral connections. The TPS neutral and Earth-neutral link to be installed last so that any future removal of these will not result in the SLN cable neutrals being disconnected.
- Earth and Neutral studs to be M6 x 50 Brass Screws, nuts and washers. Refer to Note 4 for the specific requirements of the Neutral Stud connections.
- Provide a 6mm² Cu PVC Green or Green/Yellow conductor from Earth Stud to be bonded to the door with a 6mm stud, washers, nut and locknut. N.B. All paint must be removed from the earthing connection area.
- Ownership details are as follows:
Electricity Distribution Network Owner (EDNO)
- Street Lighting Network cables including line tap and 6mm² phase conductor to bottom of the Main Fuse.
CCC - Everything other than above.
- All Electricity Distribution Network Owner (EDNO) owned equipment (Street Lighting Network cables, line taps etc) shown are typical only. Refer to Electricity Distribution Network Owner (EDNO) standards and specifications.
- Anyone working on this equipment must be competent and approved by the relevant Electricity Distribution Network Owner (EDNO) to carry out the tasks they are performing.

All dimensions in millimetres unless otherwise stated



DIMENSION LABEL SCHEDULE		
Label	Dimension	Notes
A	75mm	To allow sufficient room for Earth Rod driving equipment attachment.
B	50mm	Minimum length of bare Copper Conductor to be welded to Earth Rod.
C		Locate Earth Rod as close as possible to the column, so it will not impede compacting of Specified Backfill material around column.
D	200mm	Minimum 200mm below finished ground level.

NOTES:

1. Street light driven Earth Rod to be compliant with Part 1 of the Electrical Safety Regulations.
2. See CSS SD510 - Street Light Switchboard Connection Details for earth connections to switchboard